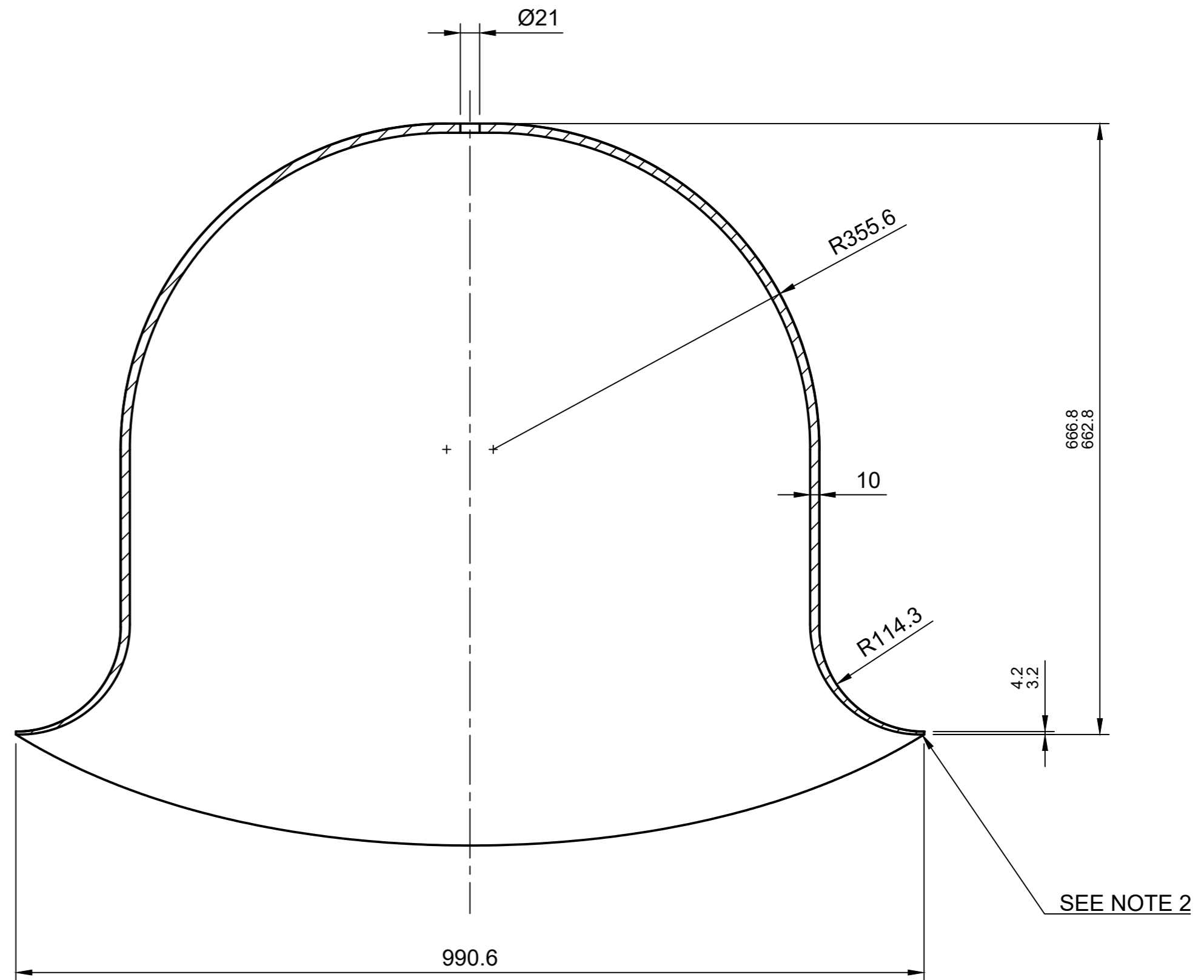


DETAIL B (1:2)



SECTION A-A (1:5)



NOTES:

1. MATERIAL: ALUMINIUM CASTING BS1490 LM4
2. BOTTOM PROFILE OF OUTWARD FLANGE CYLINDRICAL: BLEND TO REDUCED WALL THICKNESS

A	T McMenamin	T McMenamin	6 March19	FIRST ISSUE
ISS	DRAWN	CHECKED	DATE	ECN

UNLESS OTHERWISE STATED:
 TOLERANCES:
 LINEAR ±0.1(MACHINED); FAB: 0-2000 ±1; 2001-4000 ±2; OVER 4000 ±3
 SURFACE FINISH (MACHINED) 3.2 MICRONS
 THREADS 6H/6g

PROJECTION: FIRST ANGLE
 UNLESS OTHERWISE STATED

THE LNWR GEORGE THE FIFTH STEAM LOCOMOTIVE TRUST OWNS THE COPYRIGHT OF THIS DRAWING WHICH IS SUPPLIED IN CONFIDENCE AND MUST NOT BE USED OR SHARED FOR PURPOSES OTHER THAN THAT FOR WHICH IT IS SUPPLIED WITHOUT THE PERMISSION OF THE TRUST.

TITLE
DOME COVER

DWG. No.
086-001

SIZE
A2